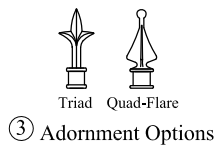
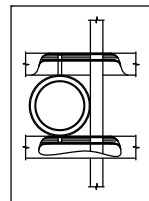


- NOTES:**
- 1.) Post size depends on fence height and wind loads. See *AEGIS Plus™* post sizing chart.
 - 2.) Panels also available for 6' on center post spacing
 - 3.) Additional heights available on request. Post height will change with Adornment installation.
 - 4.) Third rail optional (Required with rings, See Detail).

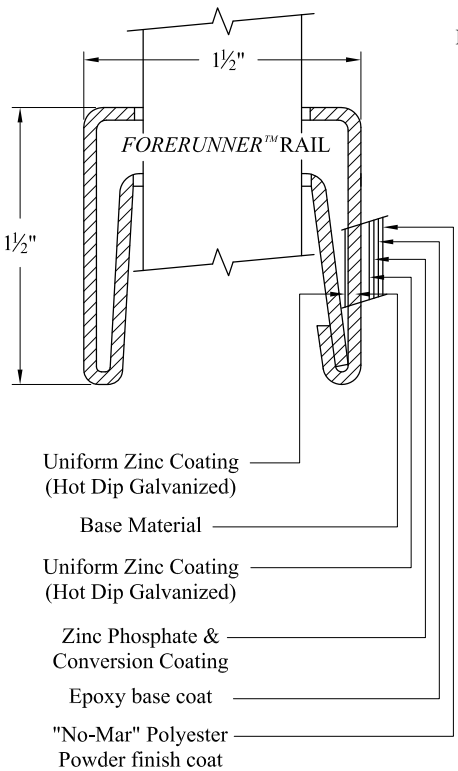
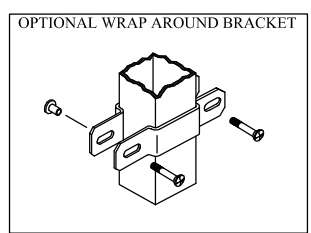
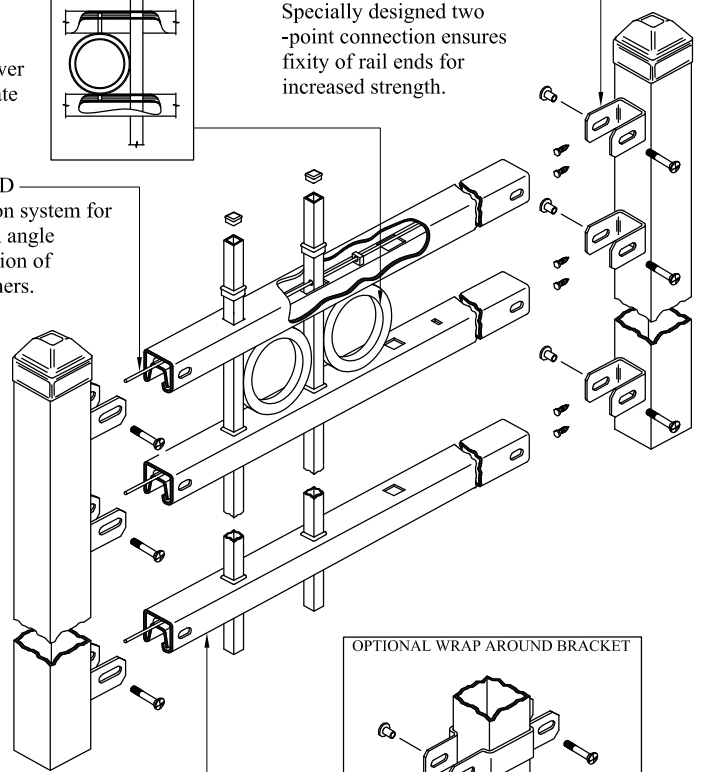


RING OPTION
Held in place with upper and lower internal retaining rods to eliminate unsightly external fasteners.



INTERNAL RETAINING ROD
Variable pitch connection system for ease of installation, high angle bias ability and elimination of unsightly external fasteners.

PANEL BRACKET
Specially designed two-point connection ensures fixity of rail ends for increased strength.



FORERUNNER™ RAIL
Double-walled "U"-Channel Specially formed high strength architectural shape.

Values shown are nominal and not to be used for installation purposes. See product specification for installation requirements.

COMMERCIAL STRENGTH STEEL

Title: **AEGIS PLUS GENESIS 2/3-RAIL W/RING OPTION**

DR: CI	SH . 1 of 1	SCALE: DO NOT SCALE
CK: PB	Date 6/17/10	REV: e



AMERISTAR®

1555 N. Mingo
Tulsa, OK 74116
1-888-333-3422
www.ameristarfence.com